

100085

APFC UC3854

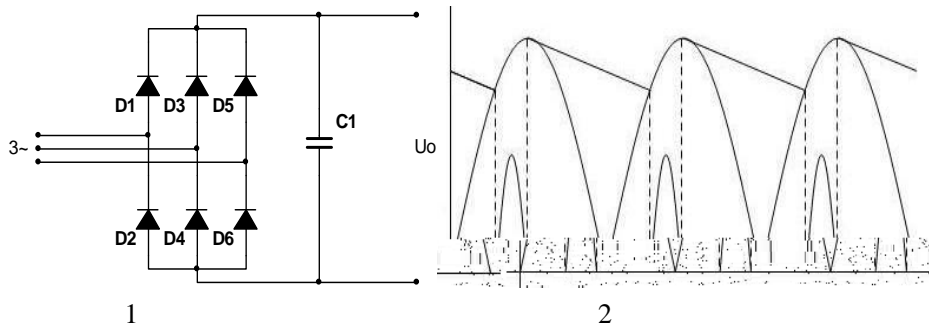
0.

“ ” “ ”

GB 15579.10-2008/IEC 60974-10
(EMC)

1.

EMC



1.2.2

IGBT

20kHz

IGBT

1000

IGBT

1.2.3

1.2.4

30MHz

30MHz

1GHz

1GHz

1.3

(1)

(2)

(3)

[2]

(4)

2.

2.1

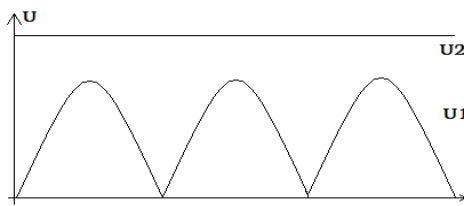
UC3854

APFC

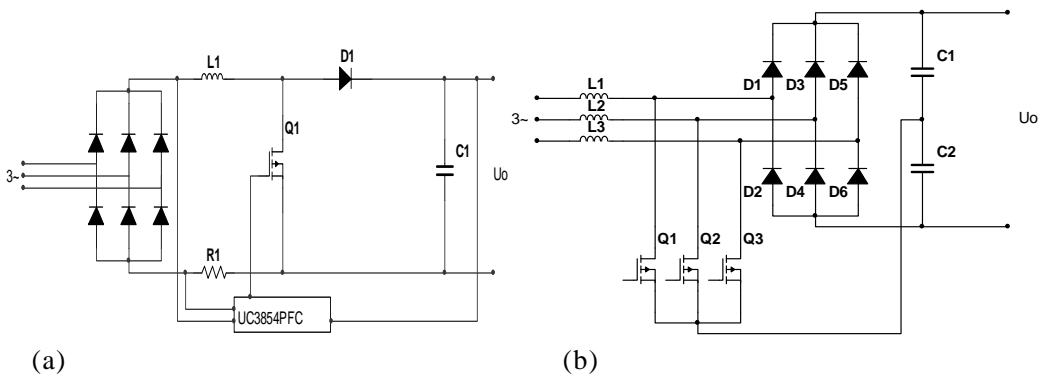
boost
 boost
 boost
 boost
 boost
 boost

3

PFC



3 boost



(a)

(b)

4

PFC

4 a b

4a

4b

UC3854

boost

4a

boost

UC3854

UC3854

PWM

PWM

2.2

LGK-120

380V

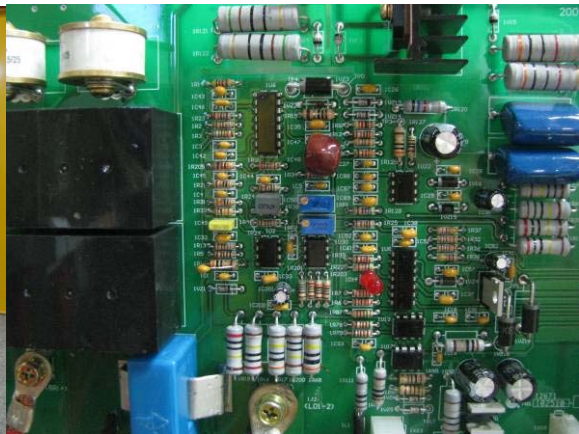
C₁

720V

5



(a)



(b)

5

6

PFC

0.98

0.48

6

0.47 6b

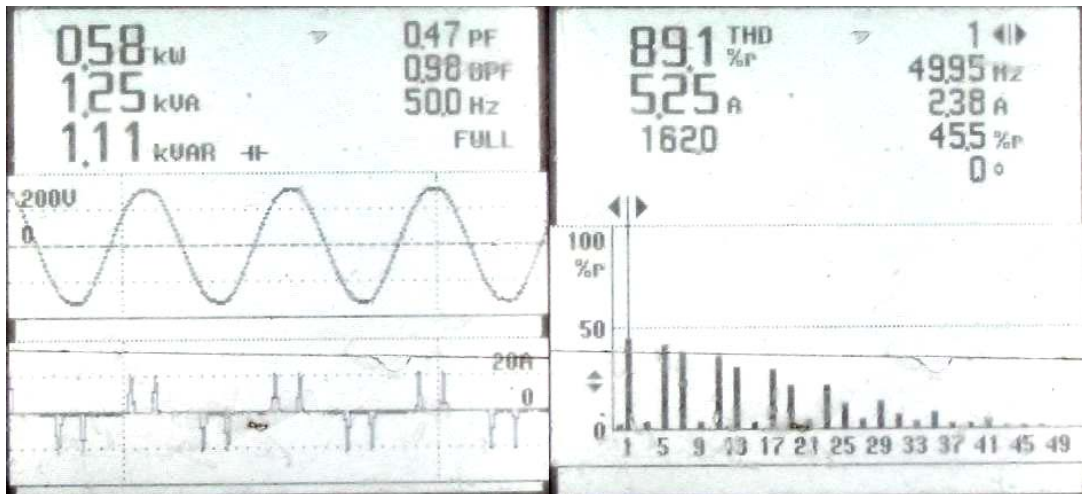
7 PFC

8 PFC

6 7 8 PFC

1

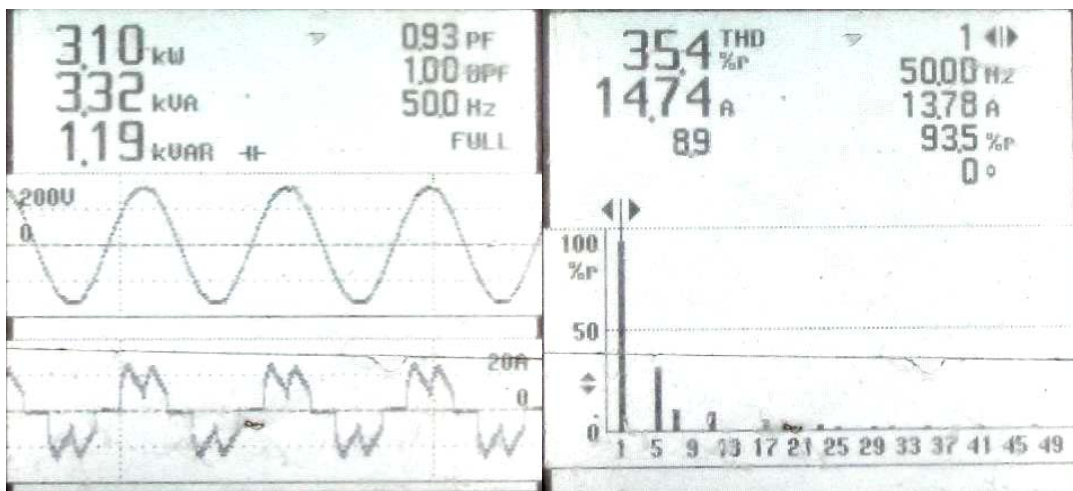
5 7 11



(a)

(b)

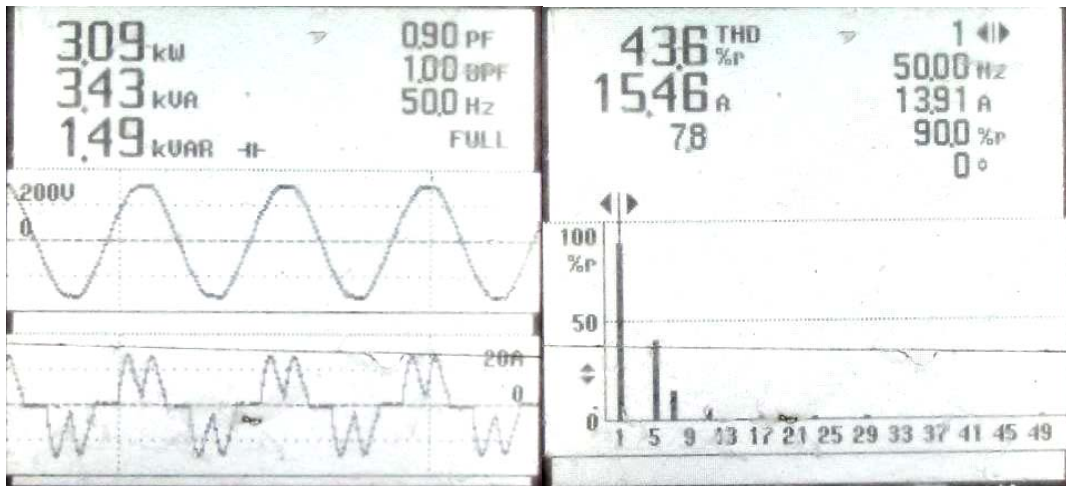
6 PFC



(a)

(b)

7 PFC



(a)

(b)

8

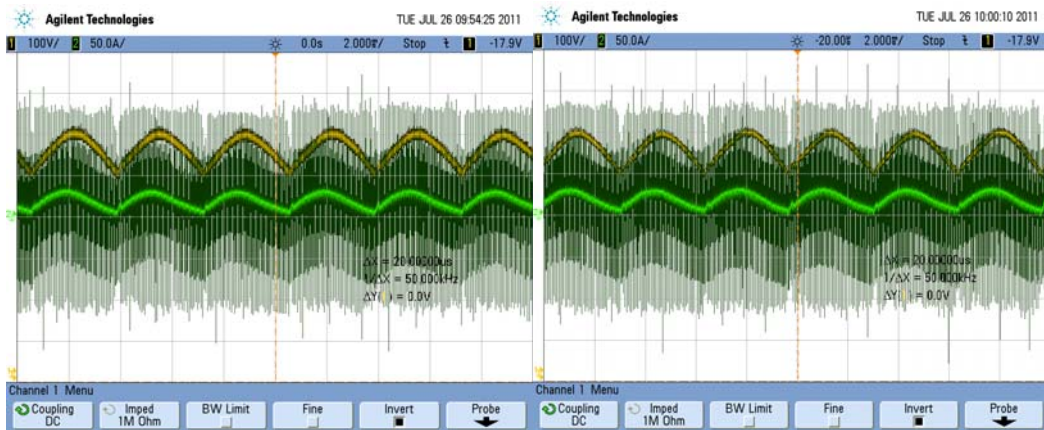
PFC

380V

80A

boost

9



9

L_1

L_1

Q_1

3.

UC3854

PFC

[1] , , . [J]. . 2005

[2] , . EMC () [J].

.2003(4B):69-71.