



90

270

1.

2.

$I = (35 \text{ } 55) \text{ d}$ I d

3.

4.

f4mm

10% 15%

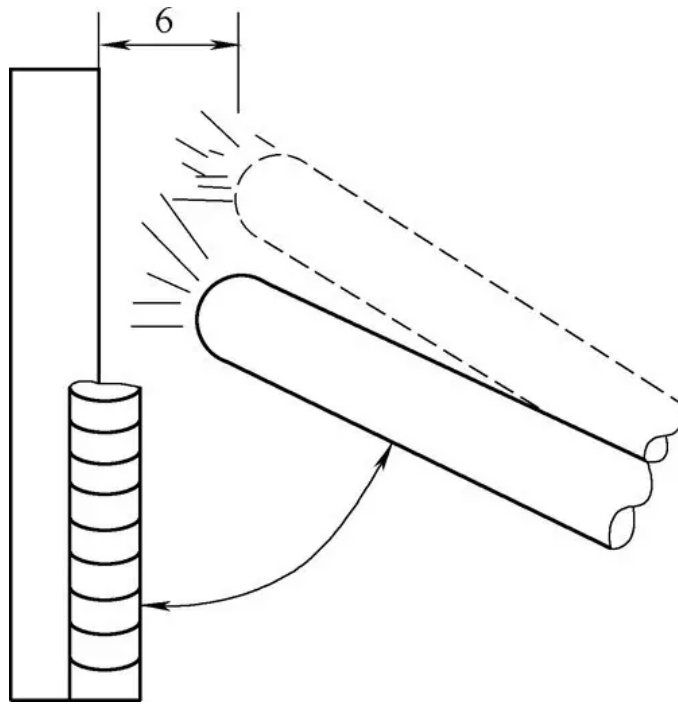
60

80

1.

2.

6mm
1 1.5 1



1

3.